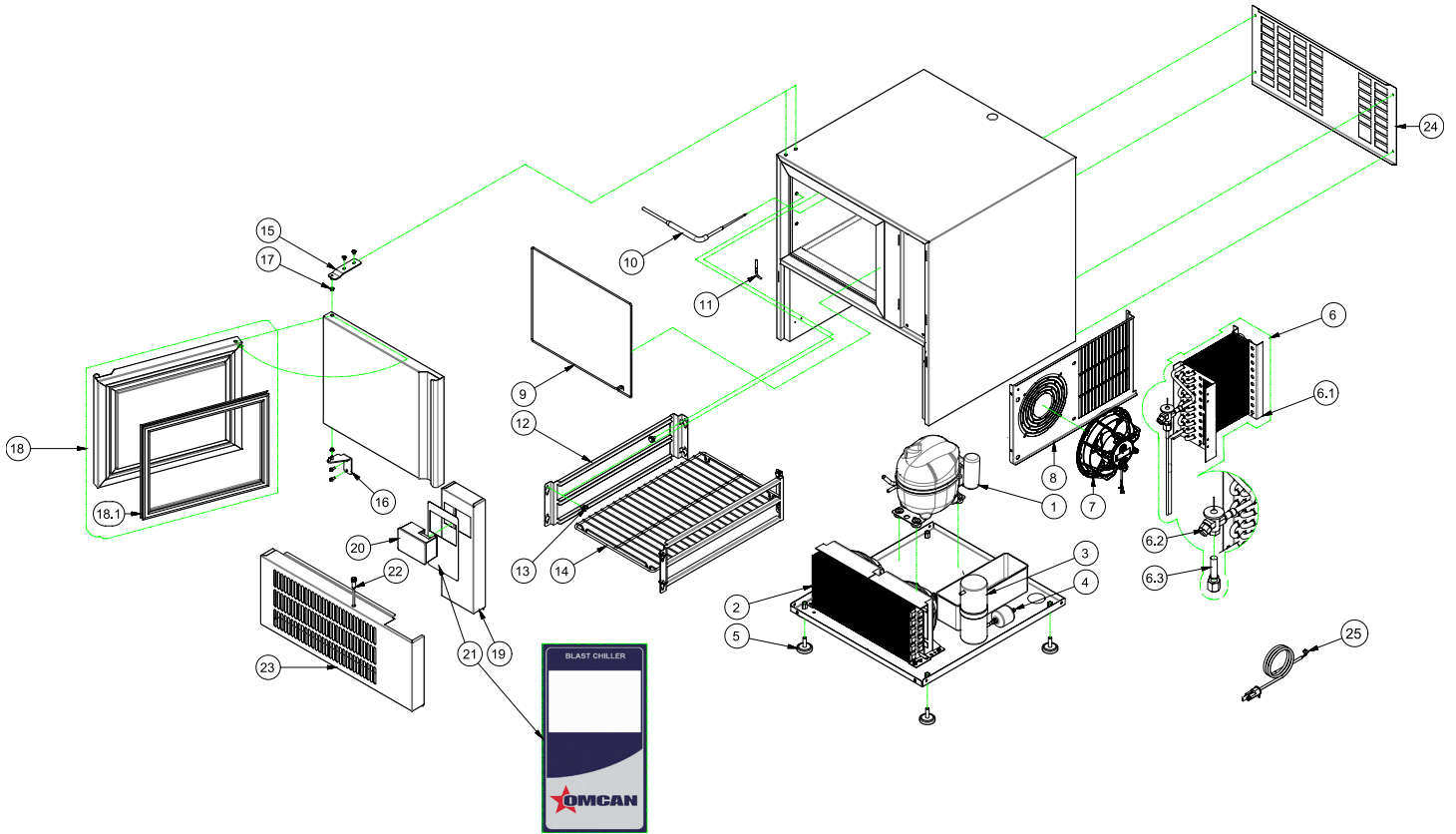


Parts Breakdown

Model BC-IT-0103-T 46671



Parts Breakdown

Model BC-IT-0103-T 46671

Item No.	Description	Position	Item No.	Description	Position	Item No.	Description	Position
42070	Compressor Copeland Hermetic AFE17C4E-IAV-901 R404A 208-230/60Hz for 46671	1	AD078	Conveyor for 46671	8	AD083	Foamed Door for 46671	18
42071	Air Condenser STVF157 for 46671	2	42083	Frame Heating Element AB-03 15W/M for 46671	9	42068	Door Magnet Gasket AB-03 D7 for 46671	18.1
42105	Liquid Receiver 0.8 LT for 46671	3	42110	Core Probe PTC 1000 L=3000 Gray for 46671	10	AD084	Control Panel Dashboard for 46671	19
42103	Filter 50x6mm for 46671	4	42109	Chamber Probe PTC L=2500 Green for 46671	11	AD085	Electronic Card EVJ815P9PX3 for 46671	20
42067	Feet H=20 D=45 M10 Black for 46671	5	AD079	Grid Stead for 46671	12	AD086	Adhesive Mask Omcan for 46671	21
AD075	Evaporating Unit for 46671	6	AD080	Pin for Grid Stead for 46671	13	AD087	Magnetic Microswitch for 46671	22
AD076	Evaporator for 46671	6.1	AD081	Grid GN 1/1 for 46671	14	AD088	Lower Cover for 46671	23
AD077	Thermostatic Valve for 46671	6.2	AD082	Upper Hinge for 46671	15	AD089	Rear Cover for 46671	24
64966	Flat Inlet TE2 N°00 ODF for 46671	6.3	42090	Inferior Door Hinge AB-03 for 46671	16	AD090	Power Supply Cable for 46671	25
42082	Fan W1G172-EC91-01 for 46671	7	42066	Door Bush D9 H=1,5 for 46671	17			